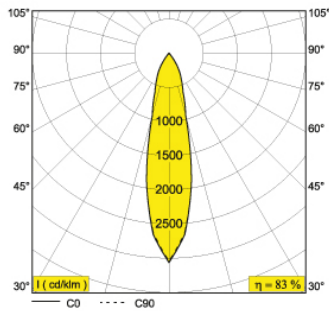
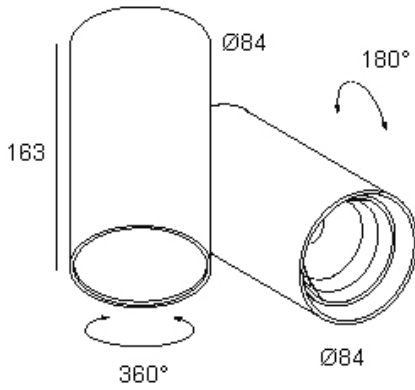


ULTRA TWIN LED

316 08 32





◇ = W

INCL.1 x POWERLED WHITE 23W / 3000K

INCL.1 x REFLECTOR 20°

INCL.LED POWER SUPPLY 700mA-DC

CURRENT CONTROLLED

◇ CE  1.7 IP20 650°C 

OPTIONS :

COVERSET R 90-100

For detailed installation instructions, please consult the manual.

 **DELTA**LIGHT®

Headquarters Delta Light nv - Muizelstraat 2 - 8560 Wevelgem (Moorsele)
Tel +32 56 435 735 **Fax** +32 56 435 736 **Email** info@deltalight.com

ULTRA TWIN LED

316 08 32



© Delta Light

 **DELTA**LIGHT®

Headquarters Delta Light nv - Muizelstraat 2 - 8560 Wevelgem (Moorsele)
Tel +32 56 435 735 **Fax** +32 56 435 736 **Email** info@deltalight.com